





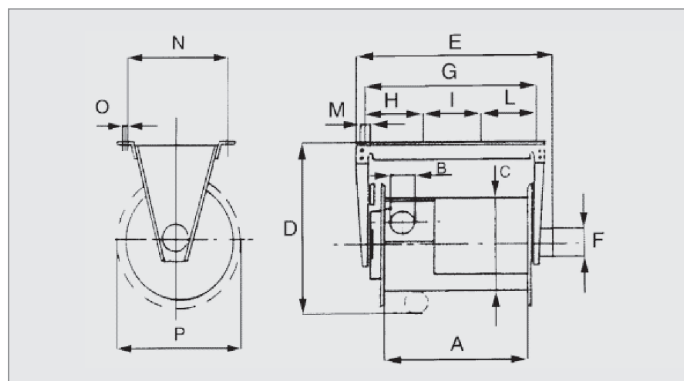
 Arrotolatore a molla completo di tubo per aspirazione gas di scarico di autoveicoli di media e grande cilindrata. Adatto all'installazione a soffitto e a muro.

 Spring driven hose reel for exhaust extraction from medium and big vehicles. Suitable to be wall or ceiling mounted.

 Enrouleur mécanique pour l'aspiration des gaz d'échappement des véhicules légers. Pour installation au mur ou au plafond.

 Schlauchaufroller mit Federantrieb für die Abgasabsaugung von PKW's komplett mit Schlauch und Trichter. Geeignet für Wand- oder Deckenmontage

 Enrollador completo, sin ventilador. Para la aspiración de gases de escape en turismos en instalaciones centralizadas. Puede ser montado en techo o pared.



| ARC-75/13D | | | | |
|-------------|----------------|------------------|--------|---|
| 75 mm 3" | 13 mt 43 ft | 200° C 392° F | AFT-75 | - |

| ARC-100/7.5D | | | | |
|--------------|-----------------|------------------|---------|---|
| 100 mm 4" | 7.5 mt 25 ft | 200° C 392° F | AFT-100 | - |

| ARC-100/10D | | | | |
|--------------|----------------|------------------|---------|---|
| 100 mm 4" | 10 mt 32 ft | 200° C 392° F | AFT-100 | - |

| ARC-75/13PB-COMP | | | | |
|------------------|----------------|------------------|--------|------------|
| 75 mm 3" | 13 mt 43 ft | 200° C 392° F | AFT-75 | BGT-75/140 |

| ARC-100/7PB-COMP | | | | |
|------------------|-----------------|------------------|---------|-------------|
| 100 mm 4" | 7.5 mt 25 ft | 200° C 392° F | AFT-100 | BGT-100/140 |

| ARC-100/10PB-COMP | | | | |
|-------------------|----------------|------------------|---------|-------------|
| 100 mm 4" | 10 mt 32 ft | 200° C 392° F | AFT-100 | BGT-100/140 |



| Mod | A (mm) | B Ø (mm) | C Ø (mm) | D (mm) | E (mm) | F Ø (mm) | G (mm) | H (mm) | I (mm) | L Ø (mm) | M Ø (mm) | N (mm) | O Ø (mm) | P Ø (mm) | Kg |
|------------|--------|----------|----------|--------|--------|----------|--------|--------|--------|----------|----------|--------|----------|----------|----|
| ARC-75/13 | 850 | 75 | 350 | 631 | 970 | 120 | 914 | 305 | 304 | 305 | 30 | 307 | 12 | 540 | 49 |
| ARC-100/7 | 850 | 100 | 350 | 676 | 970 | 120 | 914 | 305 | 304 | 305 | 30 | 311 | 12 | 580 | 49 |
| ARC-100/10 | 850 | 100 | 350 | 676 | 970 | 120 | 914 | 305 | 304 | 305 | 30 | 311 | 12 | 580 | 53 |