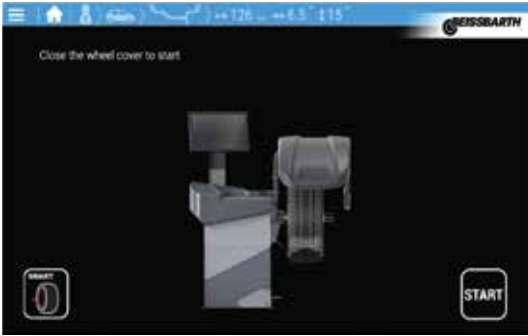


# MT ZERO 8

**TOUCHLESS WHEEL RECOGNITION AND  
BALANCING PROGRAM SELECTION**



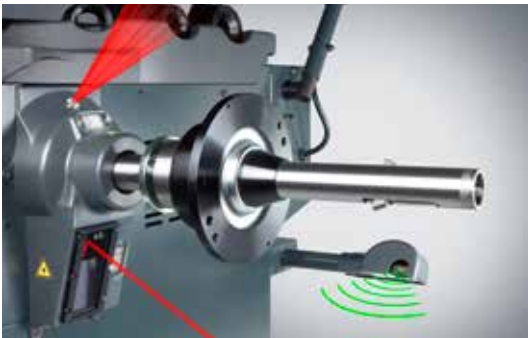
# Beissbarth MT ZERO 8 wheel balancer



By closing the wheel guard a new wheel is recognized.



Flange: pneumatic wheel clamping



Flange with long shaft (240 mm)



Laser category 2: see safety information on page 8



LCD display: keyboard with large 22" touch screen

## Normal balancing within 6 seconds

- 3 lasers mark the position of the weights
- Automatically selects the balancing program and weight position by independently recognizing the number of spokes and the type of rim
- Automatic wheel positioning (ATP)
- Pneumatic flange
- 3 operators, 25+ menu languages

## Large, interactive 22" Touchscreen

with numerous helpful video animations. Touch function can also be used with gloves.



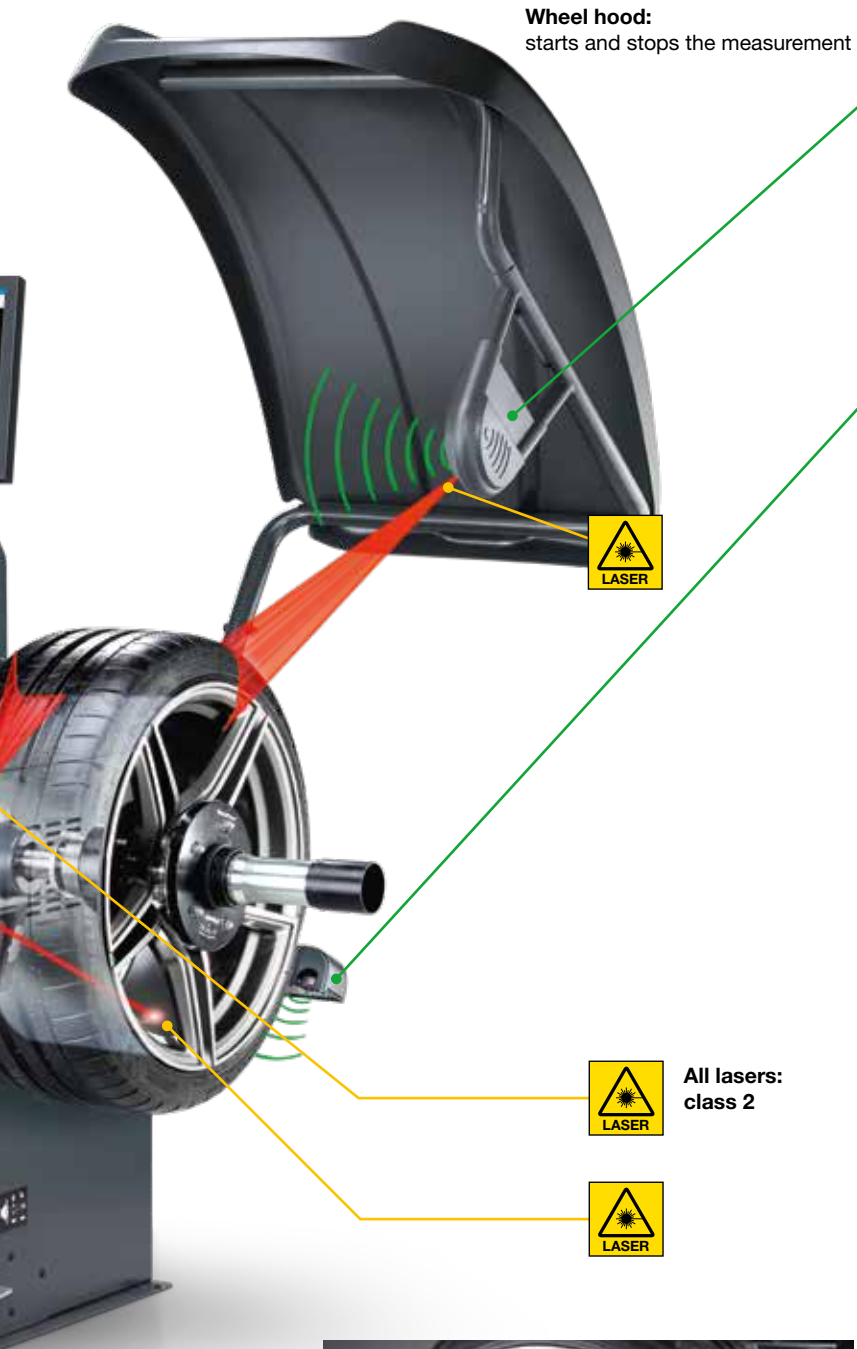
## MT ZERO 8 suit the following wheels:

- Passenger cars, vans, motorcycles
- Rim diameters between 10" and 30"
- Rim widths between 1" and 15"



## Pedal with a new function:

Change of balancing position by "double click"



**Two sonars** measure the number of spokes, wheel data, correct centering and runout



**Line laser\*** for the exact positioning of clip-on weights on the exterior of steel rims



**Line laser\*** for the interior of steel rims



**LED:** internal rim illumination



**Spot laser\*** for accurate positioning of adhesive weights on aluminium rims (interior and behind the spokes)

\*Caution, laser in operation! Please observe the hazard specifications on page 8

# MT ZERO 8 software:

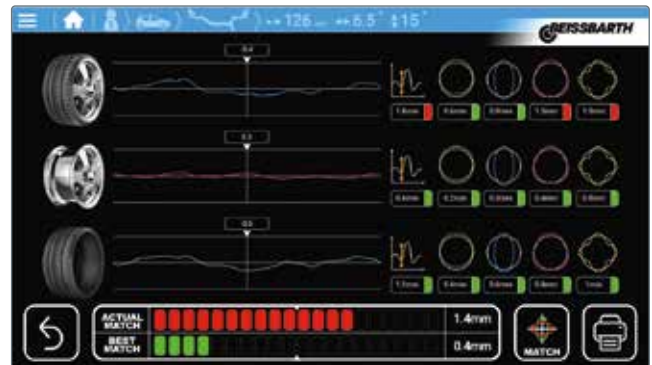
## Gives vibrations no chance



Every wheel gets a radial runout check (eccentricity)



Quick identification of runout problems



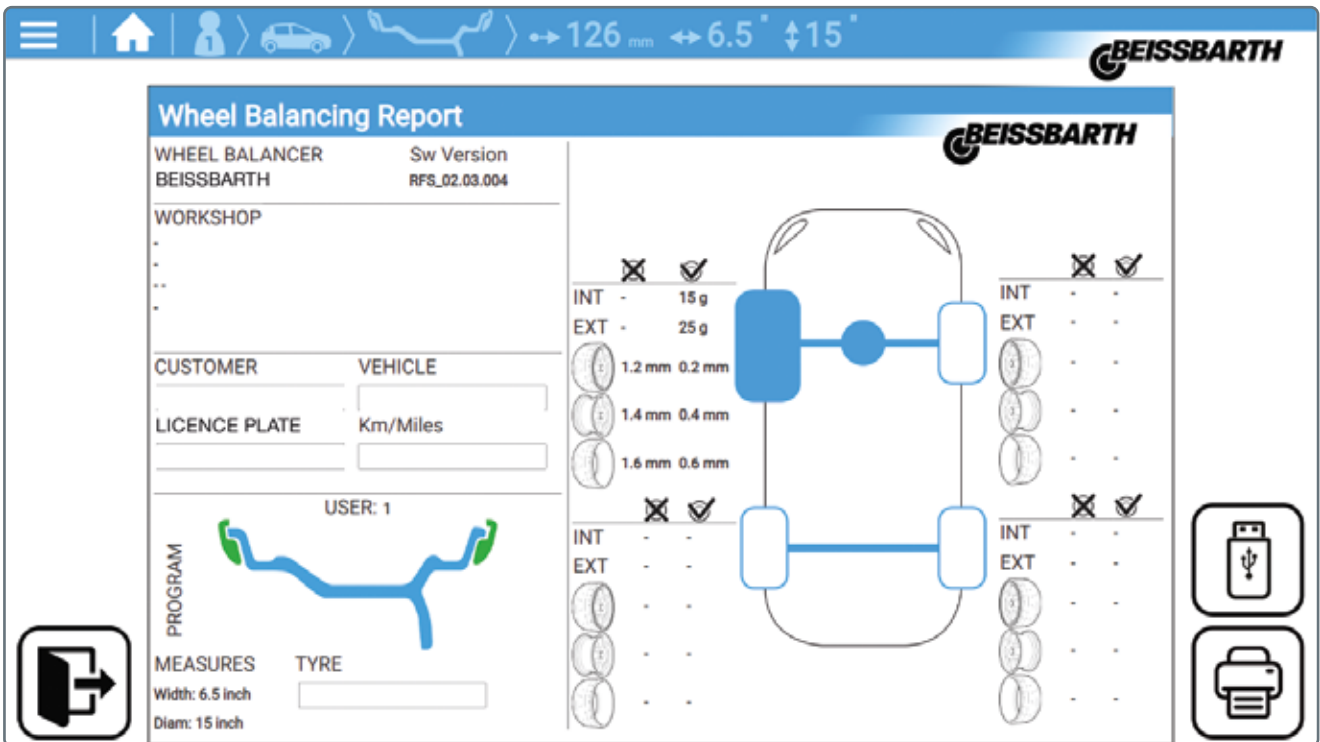
Match mount recommendation



Start of the match mount process ...



... with a clearly guided routine



Eccentricity test and unbalance report can be generated, saved and printed



Possible selection of further balancing programs



Easy interactive system check



Watch MT ZERO 8 in action at <https://youtu.be/TX22zSvCwqQ>



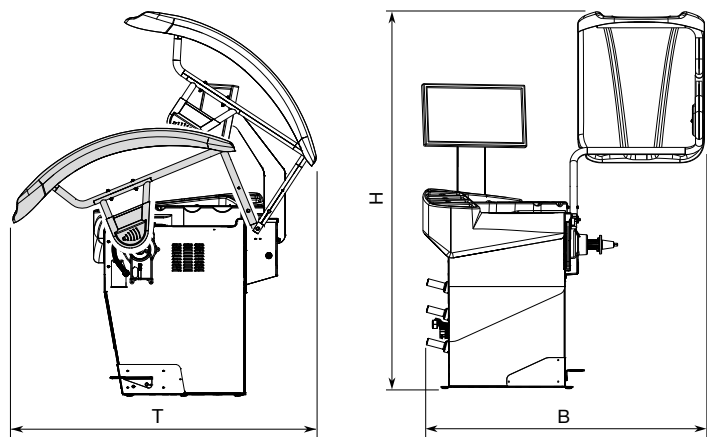
# Technical data and scope of delivery

## MT ZERO 8

Function	Specification
Balancing speed	220 rpm 50 Hz
Voltage supply	230 V 1~ (50/60 Hz)
Power input 0.7 kW	80 kg
MT ZERO 8 Touch AWLP compressed air supply	8–10 bar
Rim width, to be adjusted via buttons	2–20"
Rim width, measurement range of the electronic sliding calliper/measurement arm	1–15"
Rim diameter, to be adjusted via buttons	8–40"
Rim diameter, measurement range of the electronic sliding calliper	10–30"
Maximum wheel weight	80 kg
Maximum wheel diameter	1 150 mm
Maximum wheel width	490 mm
Average measurement time	6 seconds
W x H x D	max. 1 400 x 1 840 x 1 300 mm
Net weight	160 kg

### Scope of delivery:

- Centring aids: 4 cones for pneumatic adapter
- Quick clamping nut with clamping cover and rubber ring
- 3 laser pointers, 2 sonars
- LED interior illumination
- Weight pliers
- Calibration weight
- CE-certified operating manual



\*fig. Size (see table)



**Service box:** manual unlocking and compressed-air connection to the service unit (only in case of pneumatic flange)



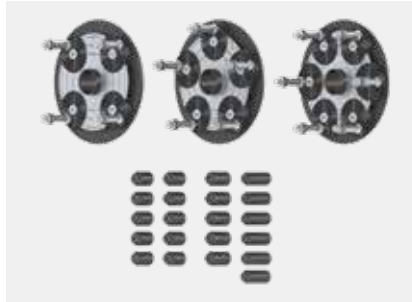
**Optimized tray:** important accessories always at hands

# Special accessories

## MT ZERO 8



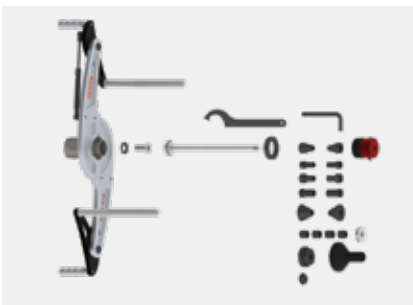
**Airgo Lift**  
Order number: 1 695 601 012



**Set of variable type clamping boards (QuickPlate) for 4/5/6-hole rims**  
Order number: 1 695 655 294



**DuoExpert centring system**  
(3 sleeves in transport box 54 – 78 mm)  
Order number: 1 695 656 698



**Standard motorcycle flange (Ø 14 mm)**  
Order number: 1 695 654 039



**Universal clamping device for closed rims (Renault, Peugeot, Citroën)**  
Order number: 1 695 654 043



**Demo box kit for light lorries**  
Order number: 1 695 656 569



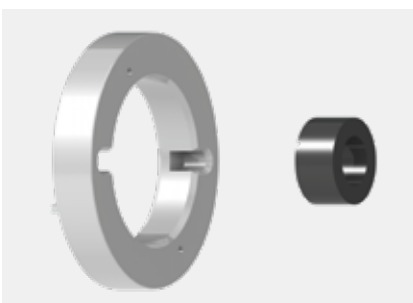
**Flange case for passenger cars**  
Order number: 1 695 656 570



**Set of van cones (Ø 88 – 174 mm)**  
Order number: 1 695 654 849



**Centring cone (Ø 88 – 132 mm)**  
Order number: 1 695 653 449



**Spacer ring for off-road rims and particularly wide rims (incl. magnets and pressure piece)** Order number: 1 695 606 200



**Adapter for weight roller**  
Order number: 1 695 656 872

# Airgo Lift: Easy lifting of heavy wheels

## Airgo Lift wheel lift:

- One-hand operation
- Easy combination with MT ZERO 8
- Easy on the back when lifting heavy tyres



## MT ZERO 8

Model name	Order number
MT ZERO 8 Touch AWLP	Touch 22"
	1 694 201 463

## Safety information/laser warning

Symbol	Laser category	Description	Warning
	Laser 2	<p>Maximum Output (P): &lt; 1 mW Emitted Wavelength (λ): 620...680 nm IEC 60825-1:2014</p>	<p>Invisible Laser Radiation Class 1M Laser Product According to DIN EN 60825-1:2014 λ = 808 nm, T<sub>0</sub> = 16 ms, E<sub>0</sub> = 12,8 mJ</p> <p>Do not look right into the laser radiation using optical instruments</p>

**Beissbarth GmbH**  
 Hanauer Str. 101 · 80993 München · Germany  
 Phone: +49-(0)89-14901-0  
 Fax: +49-(0)89-14901-246  
 sales@beissbarth.com