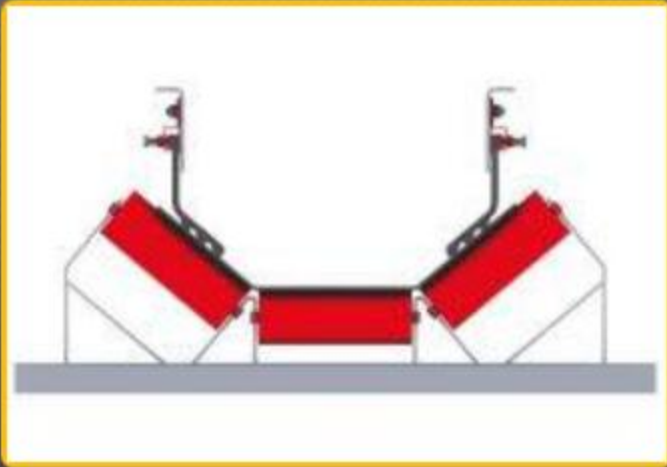
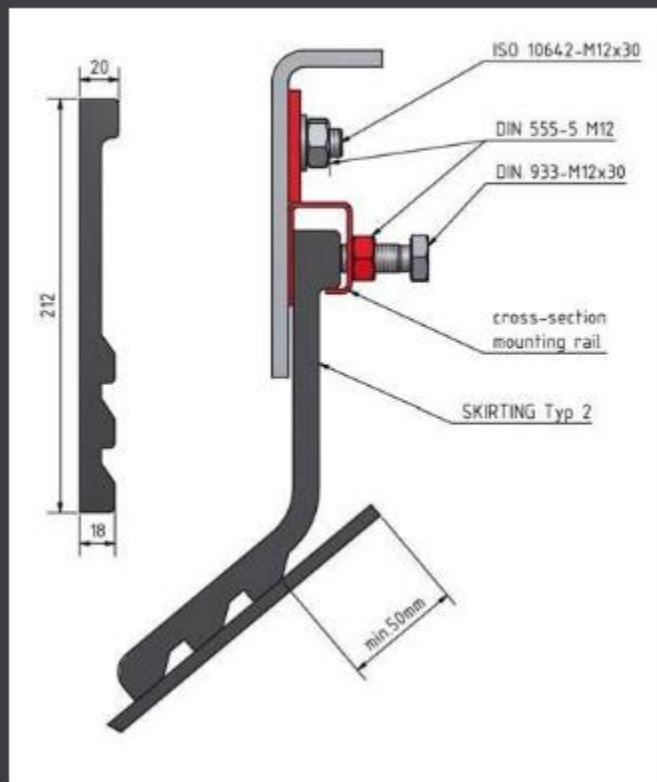
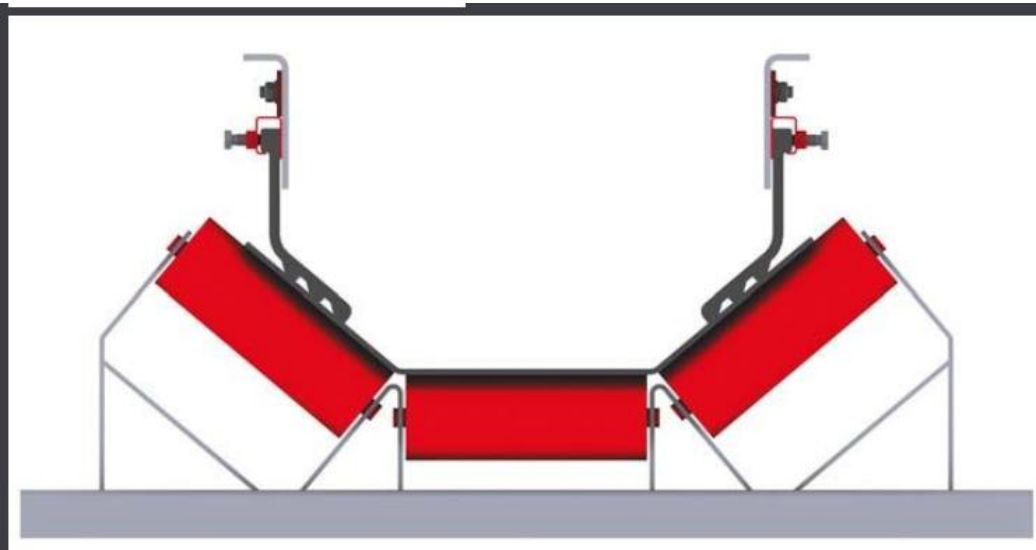


# REMASKIRT SURESEAL 2



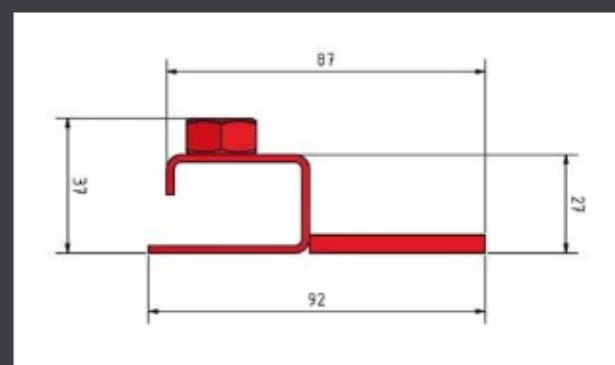
## REMASKIRT Sureseal 2 labyrinths seal of the load units





The isolating system providing the prime seal.

Special sealing edges with labyrinth effect keep the material being moved on the conveyor belt, reducing its losses and contamination. Sealing lips are pressed against the conveyor belt due to their own weight, which prevents damage. Adjustment and maintenance of the sealant is facilitated in combination with the supporting beams.



Cross section of the guide profile

REMASKIRT Sureseal 2 - Set for double-sided sealing approx. 6 m of transported material

- 10 x support beam L = 1200 mm Art.5789590
- 1 x 12 m sealing edge type REMASKIRT Sureseal 2

To order Item no. 5789580

