

## UNICLEAN HM-UG

Conveyor a belt scraper system for belt return side applications with a tungsten carbide blade. The advantage of the system is a low overall height and the screw take-up. The UNICLEAN HM-UG can be used universally for many conveyed goods. The tungsten carbide blade rests continuously with the carbide on the conveyor belt and thereby effects a particularly effective, conveyor belt-sparing cleaning. The design of the carbide blade also ensures a long service life and reliability. The combination with the screw take-up enables a stepless adjustment of the contact pressure, as well as adaptation to a wide variety of installation situations. This scraper system is only recommended for undamaged conveyor belts with high-quality belt splices or repair points.

# CONVEYOR BELT CLEANING SYSTEMS

## UNICLEAN – U-Series – for use on the track

### UNICLEAN HM-UG

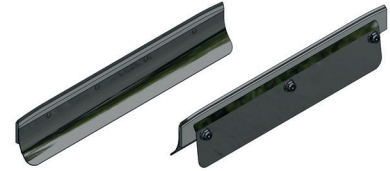
#### Properties

- very good cleaning effect
- long service life due to trimming with highly wear-resistant solid carbide
- easy installation and adjustment of the system by clamping spindle
- low-maintenance
- low space requirement due to low carbide blade

- for belt widths up to 1,200 mm
- designed for operating temperatures from -40°C to +60°C and belt speeds up to 2.5 m/s

#### Areas of application

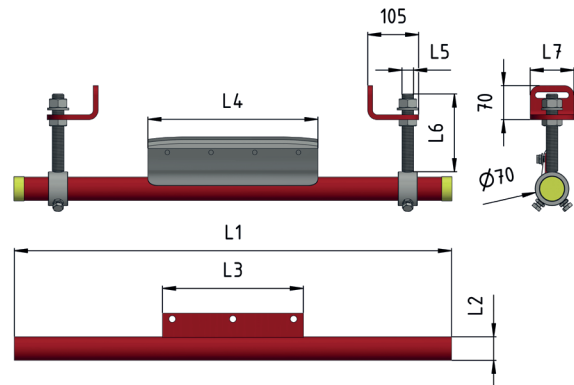
- universally applicable for many conveyed goods such as sand, gravel, hard coal, cement, ores



SPARE CARBIDE BLADE

#### Installation dimensions

Belt width	L1	L2	L3	L4	L5	L6	L7
500	1,000	∅ 48.3	390	450	M24	160	90
650	1,200	∅ 48.3	490	550	M24	160	90
800	1,300	∅ 48.3	640	700	M30	160	90
1,000	1,500	∅ 48.3	840	900	M30	160	90
1,200	1,700	∅ 60.3	990	1050	M36	200	120



#### UNICLEAN HM-UG

Art. No.	Description	Belt width
578 8720	UNICLEAN HM-UG	500 mm
578 8721	UNICLEAN HM-UG	650 mm
578 8722	UNICLEAN HM-UG	800 mm
578 8723	UNICLEAN HM-UG	1,000 mm
578 8724	UNICLEAN HM-UG	1,200 mm

#### Spare blades UNICLEAN HM-UT/HM-UG (90°)

Art. No.	Description	Belt width
578 8730	UNICLEAN HM-UT/HM-UG	500 mm
578 8731	UNICLEAN HM-UT/HM-UG	650 mm
578 8732	UNICLEAN HM-UT/HM-UG	800 mm
578 8733	UNICLEAN HM-UT/HM-UG	1,000 mm
578 8734	UNICLEAN HM-UT/HM-UG	1,200 mm



**REMA TIP TOP AG**  
 Gruber Strasse 65 - 85586 Poing / Germany  
 Phone: +49 8121 707-100  
 Fax: +49 8121 707-10 222  
 info@tiptop.de  
[www.rema-tiptop.com](http://www.rema-tiptop.com)



Your local contact