

UNICLEAN PUR-FH

Belt cleaning system for use on the pulley with a continuous polyurethane blade and a spring lever tension unit. The advantage of the system is a small space requirement and the lever pressing device. The UNICLEAN PUR-FH can be used universally for many conveyed goods. The polyurethane blade rests against the conveyor belt and thus causes a particularly effective, belt-friendly cleaning. The design of the blade also ensures a long service life and reliability. The system can also be used for damaged and worn conveyor belts. The combination with the lever pressing device incl. steel spring allows a stepless adjustment of the contact pressure, as well as the adaptation to a wide variety of installation situations. As a result, a particularly gentle cleaning is possible.

CONVEYOR BELT CLEANING SYSTEMS

UNICLEAN – F-Series – for use on the drum

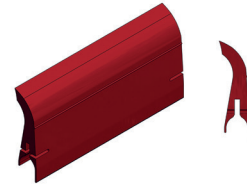
UNICLEAN PUR-FH

Properties

- very good cleaning effect
- protects the conveyor belt
- long service life due to the use of particularly abrasion-resistant polyurethane
- easy installation and adjustment of the system by spring lever tension unit
- low-maintenance
- low space requirement for the handover
- automatic adjustment of the system
- definition of the pressing force by spring, can be checked at any time
- for belt widths up to 1,200 mm
- designed for operating temperatures from -40°C to +60°C and Belt speeds up to 3.5 m/s

Areas of application

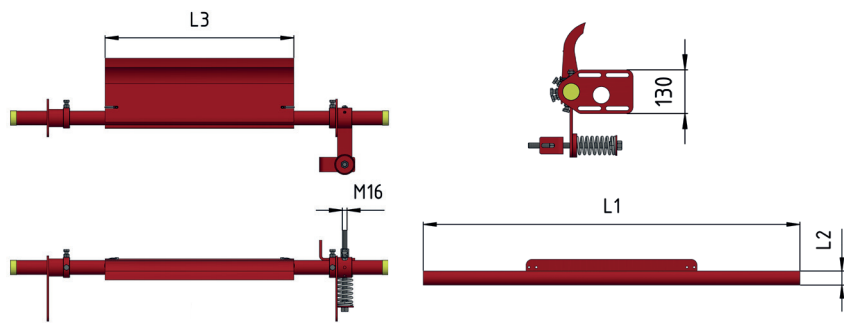
- universally applicable for many conveyed goods such as sand, gravel, hard coal, cement, ores



POLYURETHANE SPARE BLADE

Installation dimensions

| Belt width | L1 | L2 | L3 |
|------------|-------|--------|-------|
| 500 | 1,100 | Ø 48.3 | 400 |
| 650 | 1,200 | Ø 48.3 | 500 |
| 800 | 1,300 | Ø 48.3 | 650 |
| 1,000 | 1,500 | Ø 48.3 | 800 |
| 1,200 | 1,700 | Ø 60.3 | 1,000 |



UNICLEAN PUR-FH

| Art. No. | Description | Belt width |
|-----------------|-----------------|------------|
| 578 8756 | UNICLEAN PUR-FH | 500 mm |
| 578 8757 | UNICLEAN PUR-FH | 650 mm |
| 578 8758 | UNICLEAN PUR-FH | 800 mm |
| 578 8759 | UNICLEAN PUR-FH | 1,000 mm |
| 578 8760 | UNICLEAN PUR-FH | 1,200 mm |

Polyurethane spare blade

| Art. No. | Description | Belt width |
|-----------------|-----------------|------------|
| 578 8761 | UNICLEAN PUR-FH | 500 mm |
| 578 8762 | UNICLEAN PUR-FH | 650 mm |
| 578 8763 | UNICLEAN PUR-FH | 800 mm |
| 578 8764 | UNICLEAN PUR-FH | 1,000 mm |
| 578 8765 | UNICLEAN PUR-FH | 1,200 mm |



REMA TIP TOP AG
 Gruber Strasse 65 - 85586 Poing / Germany
 Phone: +49 8121 707-100
 Fax: +49 8121 707-10 222
 info@tiptop.de
www.rema-tiptop.com



Your local contact