

UNICLEAN PUR-UT

Conveyor belt cleaning system for belt return side applications with a continuous polyurethane bar and tension unit type STANDARD. The advantage of the system is a low height and the torsion pressing device is STANDARD. The UNICLEAN PUR-UT can be used universally for many conveyed goods. The polyurethane bar rests continuously against the conveyor belt and thus causes a particularly effective, belt-friendly cleaning. The design of the polyurethane bar also ensures a long service life and reliability. It can also be used for damaged or worn conveyor belts. The combination with the STANDARD pressing device enables a stepless adjustment of the contact pressure, as well as adaptation to a wide variety of installation situations. As a result, a particularly gentle cleaning is possible.

CONVEYOR BELT CLEANING SYSTEMS

UNICLEAN – U-Series – for use on the track

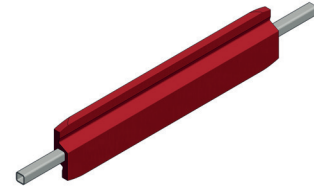
UNICLEAN PUR-UT

Properties

- very good cleaning effect
- protects the conveyor belt
- long service life due to the use of particularly abrasion-resistant polyurethane
- easy installation and adjustment of the system due to the STANDARD pressing device with torsion elements used
- low-maintenance
- low space requirement due to low bar
- automatic adjustment of the system
- for belt widths up to 1,200 mm
- designed for operating temperatures from -40°C to +60°C and Belt speeds up to 3.5 m/s
- optionally, mounting brackets with clamping screws can be purchased

Areas of application

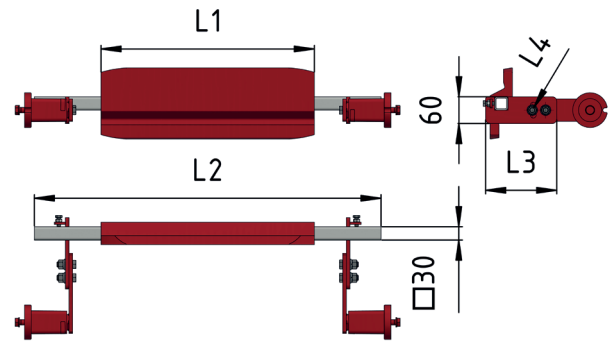
- universally applicable for many conveyed goods such as sand, gravel, hard coal, cement, ores



REPLACEMENT BAR

Installation dimensions

Belt width	L1	L2	L3	L4	ROSTA
500	480	780	160	M12	SE 27
650	630	930	160	M12	SE 27
800	780	1,080	160	M12	SE 27
1,000	980	1,280	170	M16	SE 38
1,200	1,180	1,480	170	M16	SE 38



UNICLEAN PUR-UT

Art. No.	Description	Belt width
578 8740	UNICLEAN PUR-UT	500 mm
578 8741	UNICLEAN PUR-UT	650 mm
578 8742	UNICLEAN PUR-UT	800 mm
578 8743	UNICLEAN PUR-UT	1,000 mm
578 8744	UNICLEAN PUR-UT	1,200 mm

Replacement strip PUR-LIGHT

Art. No.	Description	Belt width
578 8745	Replacement bar PUR-LIGHT	500 mm
578 8746	Replacement bar PUR-LIGHT	650 mm
578 8747	Replacement bar PUR-LIGHT	800 mm
578 8748	Replacement bar PUR-LIGHT	1,000 mm
578 8749	Replacement bar PUR-LIGHT	1,200 mm



REMA TIP TOP AG
 Gruber Strasse 65 - 85586 Poing / Germany
 Phone: +49 8121 707-100
 Fax: +49 8121 707-10 222
 info@tiptop.de
www.rema-tiptop.com



Your local contact