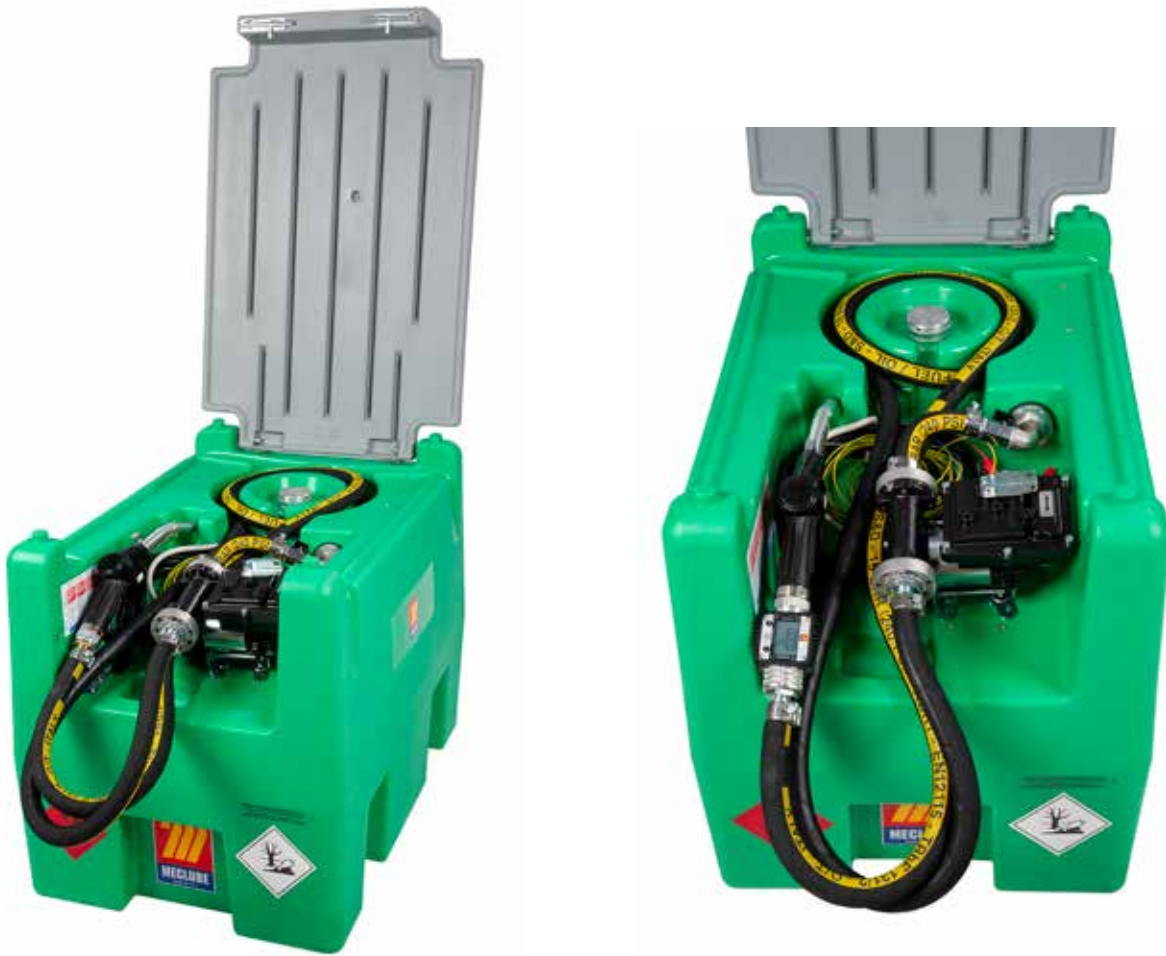




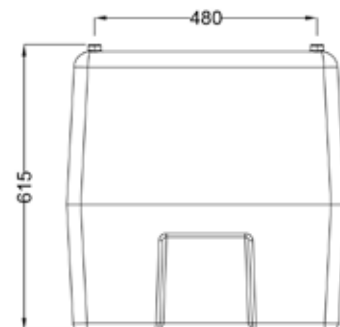
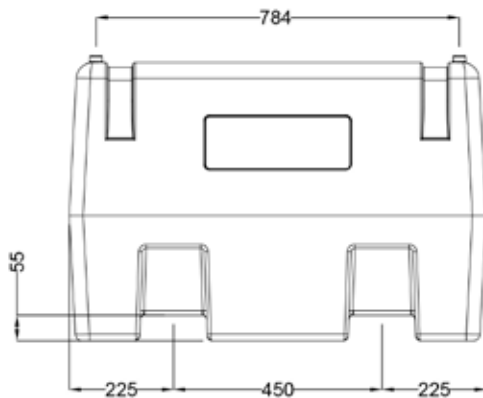
# POLYETHYLENE TANK FOR GASOLINE TRANSPORT "Benz-Tank"



Ref.	Descrip.	Flow rate	Voltage	Power	Inlet-outlet	Conn. hose	Nozzle	Flow meter	Duty cycle	Weight	Packaging
		l/min	AC V./Hz DC Volt	W	BSPG	Ø			min	Kg	mm

<b>090-7220-012</b>	Benz-Tank	<b>50</b>	12	250	F1" - F1"	19	Aut. ZVA80	NO	30/60	24,00	910X600X665
---------------------	-----------	-----------	----	-----	-----------	----	---------------	----	-------	-------	-------------

<b>090-7221-012</b>	Benz-Tank	<b>50</b>	12	250	F1" - F1"	19	Aut. ZVA80	YES	30/60	24,30	910X600X665
---------------------	-----------	-----------	----	-----	-----------	----	---------------	-----	-------	-------	-------------



Rigid polyethylene tank for gasoline transport for private use in total ADR exemption (see ADR Regulations at page 180) . Aluminium filling plug with built-in safety valve, in-line filter for suction, transfer group, automatic lockable nozzle. Equipped with volumetric pump ATEX version, earthing cable with pincer, cables 4 m length for the connection to the battery and 4 m length flexible hose for fuel. Reinforced and lockable lid.



## “Benz-Tank” series composed by:



**Art. 090-7220-000** Tank 220 l without pumps



**Art. 091-5801-050** Electric pump 12V 50 l/min ATEX  
Power cable 2 m length, with pincers and protection fuse



**Art. 092-5161-000** Digital flow meter for gasoline ATEX  
min-max Flow rate 7-120 l/min



**Art. 918-0500-040** Antistatic connection rubber hose  
EN 12115 ATEX D.19x31 4 m length



**Art. 093-5321-080** Automatic nozzle ZVA80 Flow rate 80 l/min